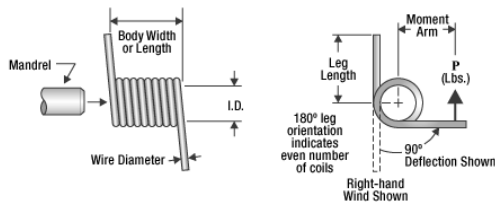


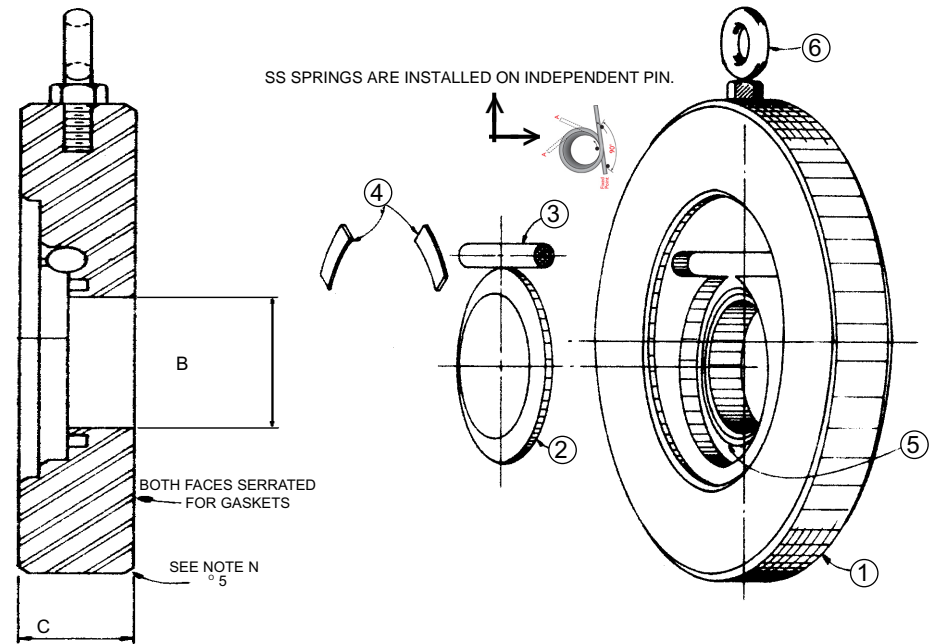
302 STAINLESS STEEL TORSION SPRINGS ARE ATTACHED ON SPRING PIN ABOVE CLAPPER. CLAPPER, PIN ASSY AND SPRING ASSY IS DROPPED INTO SEPARATE MILL SLOT OF VALVE BODY. BOTH ARE WELDED IN PLACE BY SS TABS.



DIMENSIONS IN VALVE SIZE (INCHES)												
	2"	2 1/2	3	4	6	8	10	12				
A	5-5/8	6-1/2	6-7/8	8-1/4	11-1/8	13-7/8	17-1/8	20-1/2				
B	1	1-3/8	1-3/4	2-1/4	3-3/4	4-3/4	6-3/4	8-1/2				
C	2-3/4	3-1/4	3-1/4	4	6-1/4	8-1/8	9-3/4	12				

Made in the USA

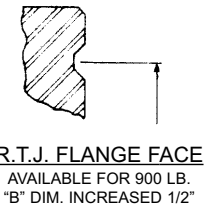
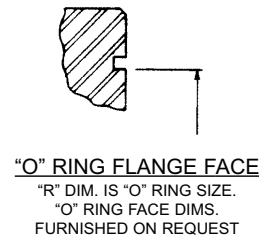
WAFER (SERRATED FACE)



ITEM N°	PART
1	WAFER
2	CLAPPER
3	HINGE PIN
4	PIN RETAINER
5	SEAL ("O" RING)
6	EYE BOLT 3/8" HEX. NUT

NOTES

- VITON O RING INSERT IN WAFER IS STANDARD. TEFLON OR BUNA N NITRAL O RING OR METAL TO METAL CAN BE FURNISHED.
- INSERT CAN BE PLACED ON CLAPPER UPON REQUEST
- STAINLESS TRIM FURNISHED IF SPECIFIED.
- O RING DIMENSIONS ARE I.D.
- FACE FINISHED RAISED UNLESS A FLAT DIMENSION IS REQUESTED.
- ALL CORNERS HAVE 1/16" CHAMFER.



FLANGE FACE ALTERNATES

BJ Champion Valve & Machine, LP
16010 KITZMAN ROAD
Cypress, Tx 77429
PH-281-357-8887 FAX-281-357-8998

WAFER CHECK VALVE
ANSI 1500LB

BJ Champion Valve Reduced Port Long Pattern Wafer Check Valve with Springs